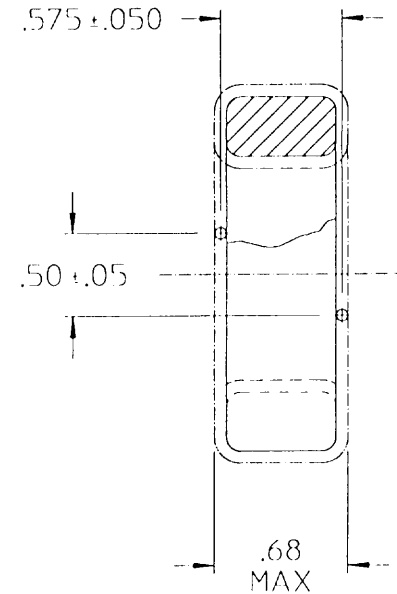
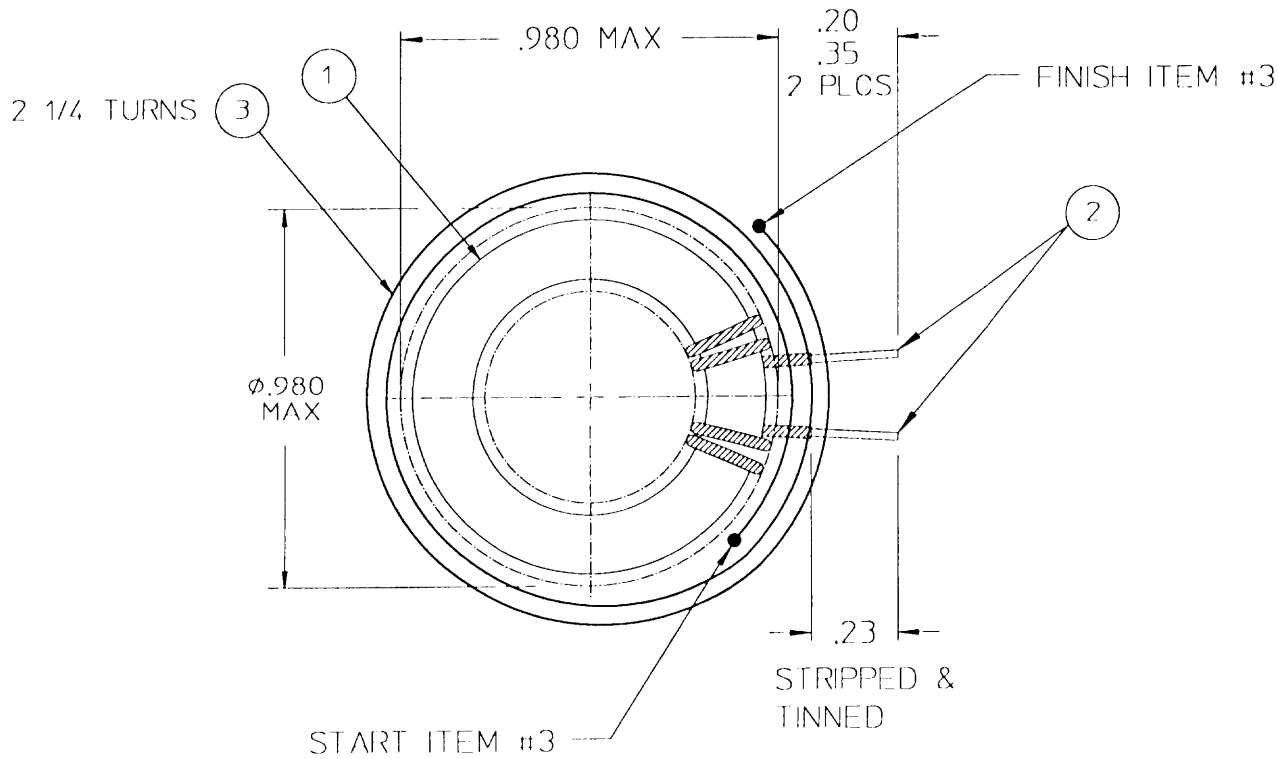


VICOR CONFIDENTIAL

THIS DOCUMENT AND THE DATA DISCLOSED HEREIN OR HEREWITH IS NOT TO BE REPRODUCED, USED, OR DISCLOSED IN WHOLE OR IN PART TO ANYONE WITHOUT PERMISSION OF VICOR CORP.

REV.	DESCRIPTION	DATE	APPROVED
01	RELSO- E960407	RCM	9/14/96



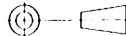
NOTES:

- MAGNET WIRE: CLASS 130°C NEMA MW28-C
- ASSEMBLY TO BE FREE OF NICKS
- SEE BOM 14563 FOR LIST OF PARTS

UNLESS OTHERWISE SPECIFIED DIMENSIONS ARE IN INCHES TOLERANCES ARE:

FRACTIONS DECIMALS ANGLES
 ± 1/64 .XX ± .01 ± 1°
 .XXX ± .005

THIRD ANGLE PROJECTION



DO NOT SCALE DRAWING

APPROVALS	DATE
	8/31/95



INDUCTOR DWG,
 21T/115 W/ TAPE

TEST	ITEM NO.	WINDING	NO. OF TURNS	IND. (uH)	DC RES (mΩ)
@1 KHz 10 mV RMS	2	PR1	21	23.6-31.9	10 MAX

Part # 14563

SIZE	FSCM NO.	DWG. NO.	REV.
B	67131	14565	01

SCALE: NONE SHEET 1 OF 1